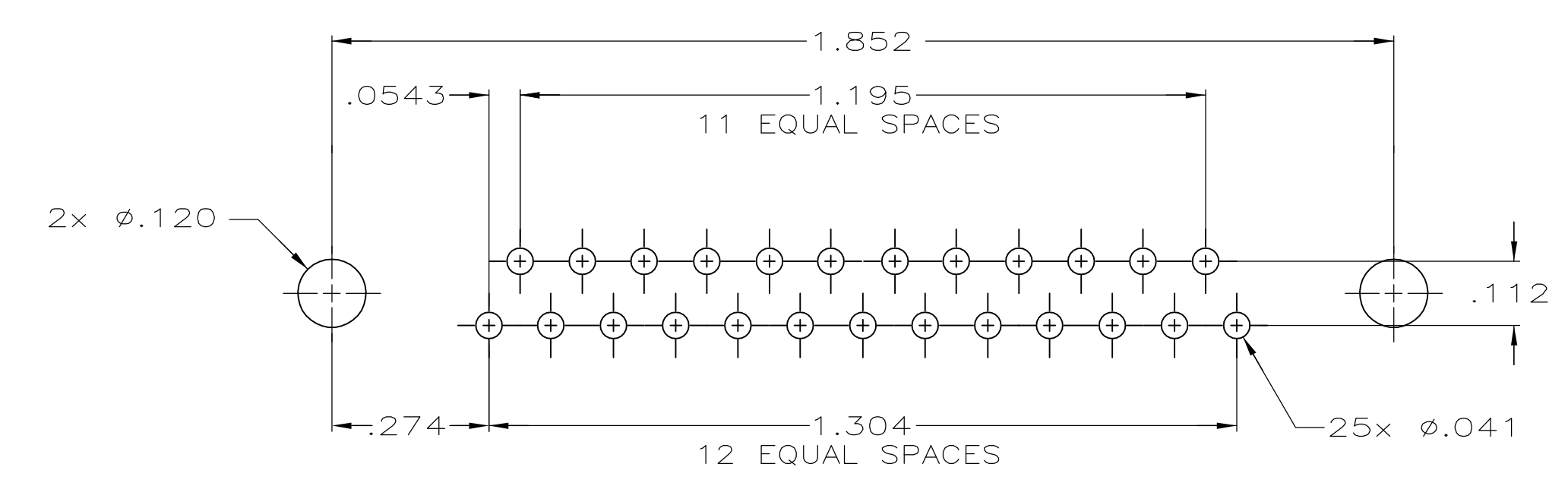
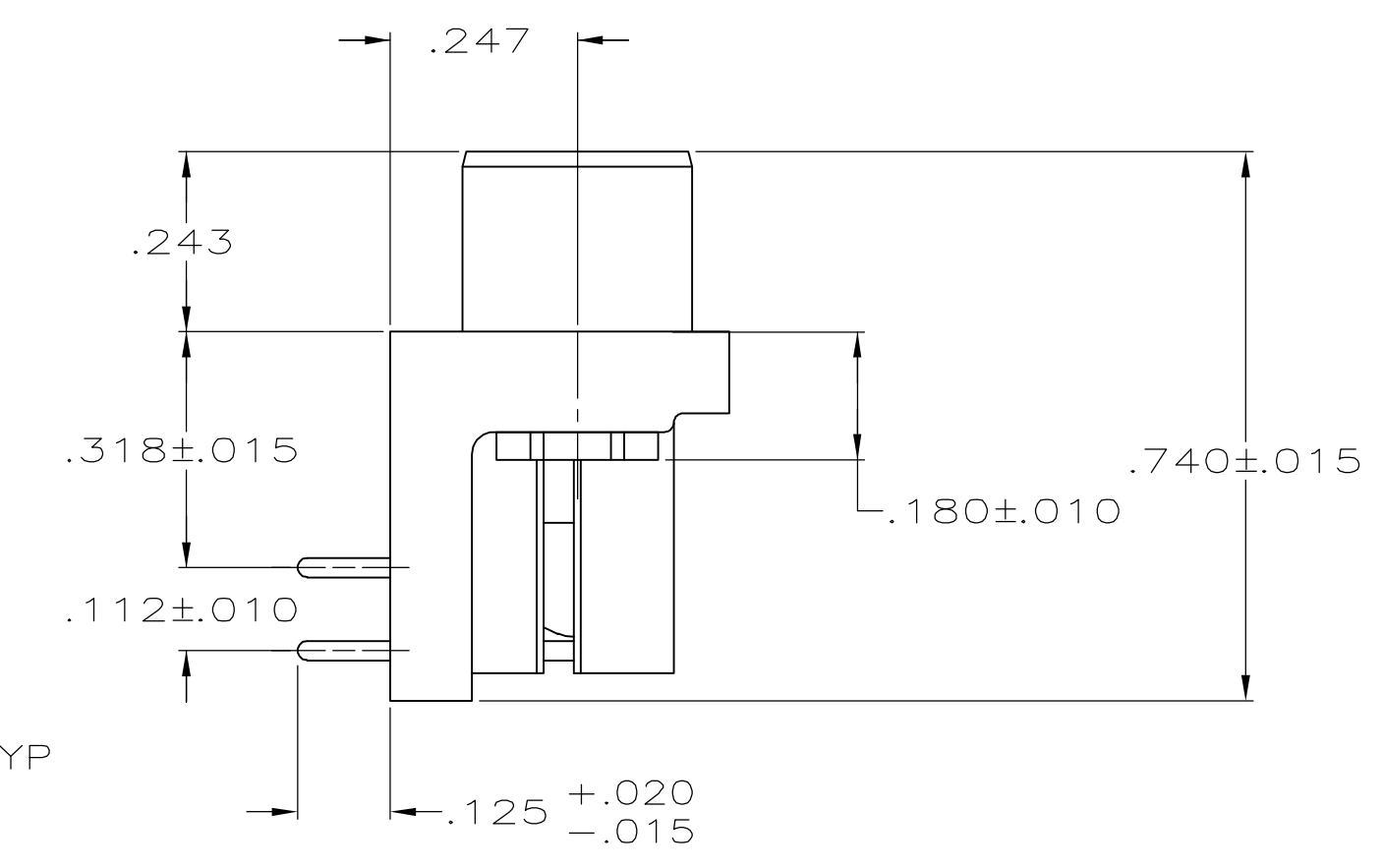
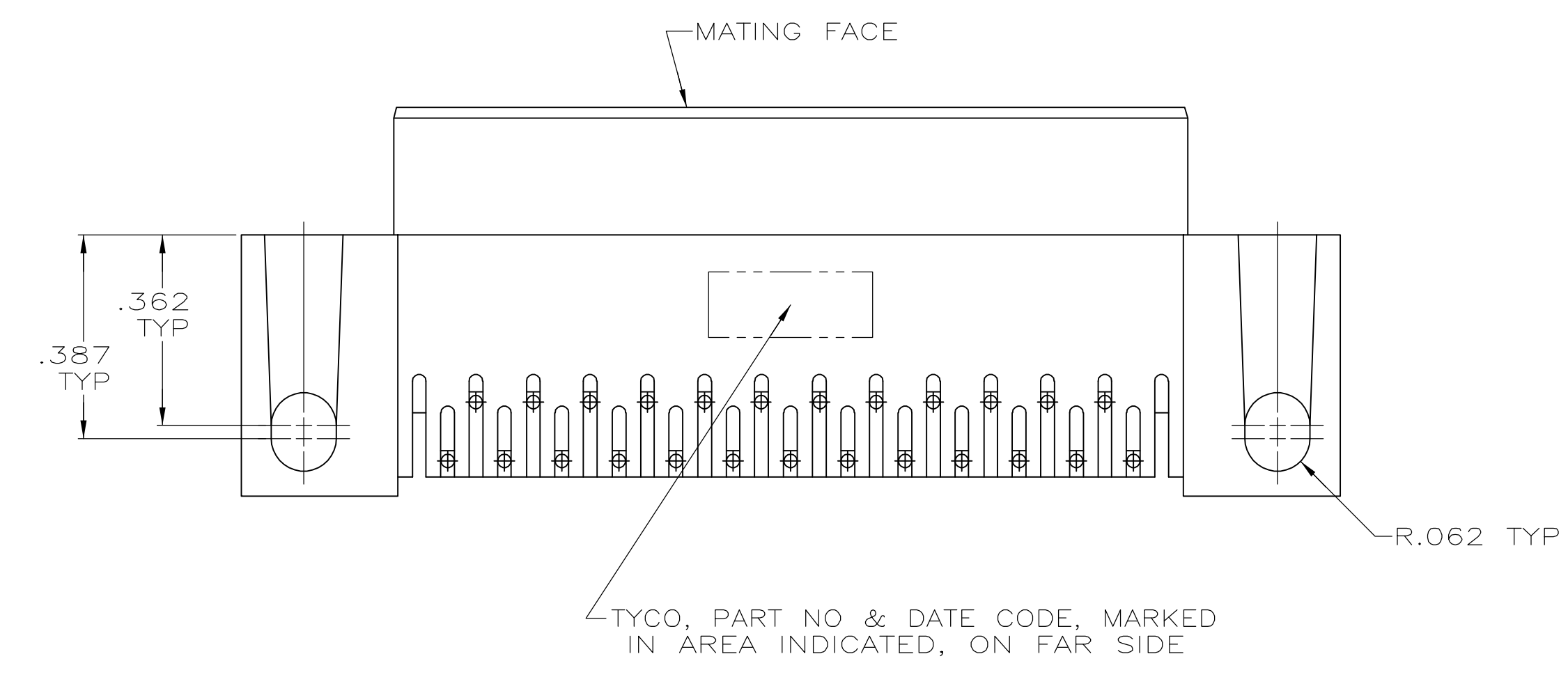
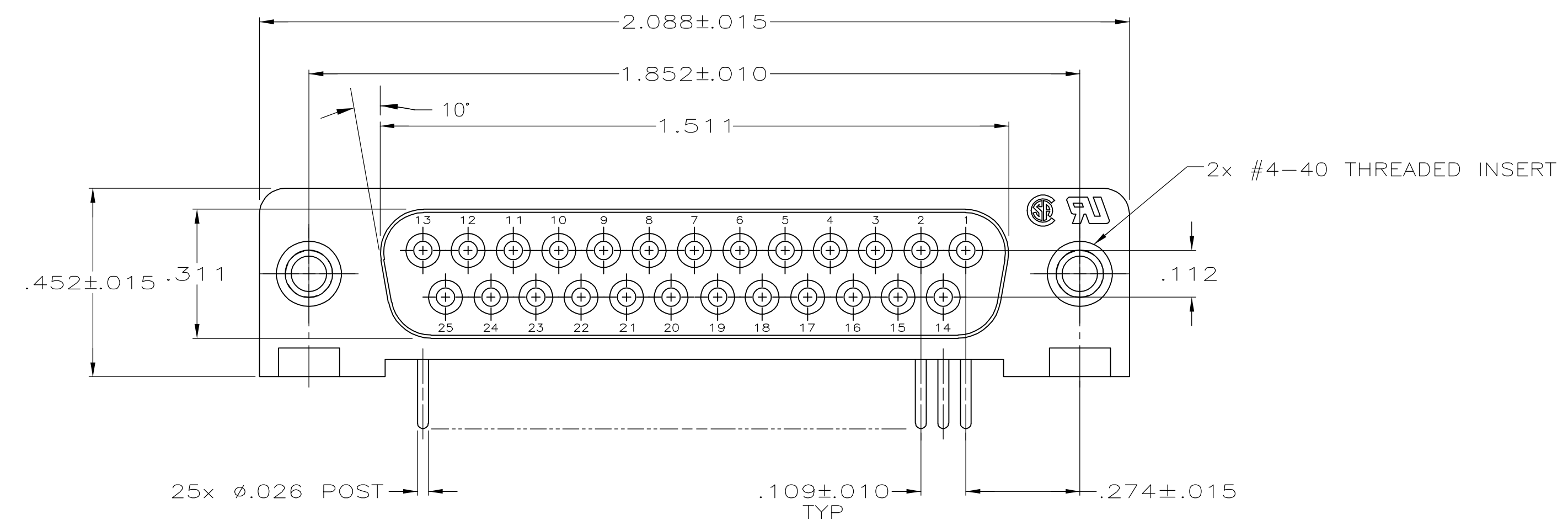


LOC		DIST		REVISIONS			
REV	DATE	DESCRIPTION	DATE	DWN	APPD		
0		RELEASED PER EC 0813-0087-05	15SEP05	GP	JG		



RECOMMENDED P.C. BOARD MOUNTING DIMENSIONS Δ

- Δ 1 HOUSING: FLAME RETARDANT, 94V-0 RATED, GLASS FILLED NYLON OR POLYESTER, COLOR: BLACK.
CONTACTS: PHOS. BRONZE.
INSERTS: ZINC.
- Δ 2 REFER TO APPLICATION SPEC FOR RECOMMENDED P.C. BOARD MOUNTING DIMENSIONS FOR AUTOMATIC INSERTION.
- Δ 3 CONTACTS: PLATED WITH .000030 MIN GOLD FOR LENGTH OF .055 MIN FROM MATING END, .000100 MIN TIN ON SOLDER END, ALL OVER .000050 MIN NICKEL ON ENTIRE CONTACT.
INSERTS: CLEAR CHROMATE COATING.

5745392-2
PART NUMBER

**COPYRIGHT 2005
TYCO ELECTRONICS CORP
ALL RIGHTS RESERVED**

THIS DRAWING IS A CONTROLLED DOCUMENT.		DWN G. PETERS 15SEP05		Tyco Electronics Corporation Harrisburg, PA 17105-3608	
DIMENSIONS: INCHES		CHK S. BOLASH 15SEP05		APVD M. WALMSLEY 15SEP05	NAME RECEPTACLE ASSY, SIZE 3, 25 POSN, RIGHT ANGLE, .318 SERIES, .026 DIA POSTS, W/ THREADED INSERTS, AMPLIMITE HD-20
TOLERANCES UNLESS OTHERWISE SPECIFIED:		PRODUCT SPEC 108-40025		APPLICATION SPEC	
0 PLC ± - 1 PLC ± - 2 PLC ± - 3 PLC ± .005 4 PLC ± - ANGLES ± °		SIZE 114-40015		WEIGHT -	
MATERIAL		FINISH		SCALE 4:1 SHEET 1 OF 1 REV 0	
Δ		Δ		CUSTOMER DRAWING	